

TWIG Bench



Modular Benches - Designed by Alexander Lotersztain

Materials: **Lightweight GFRC Concrete**

TWIG is a highly configurable modular seating system which promotes social interaction and a casual lifestyle. Currently available in lightweight GFRC Concrete, the possibilities are limited only by your imagination.

Part of a successful collaboration of Street & Garden Furniture and Derlot Editions, TWIG is already a best seller in Australia and throughout Europe. Tournesol Siteworks has been manufacturing TWIG in lightweight concrete in the U.S. since 2011. The TWIG can be found in universities, courtyards, corporate and public meeting places across the U.S.



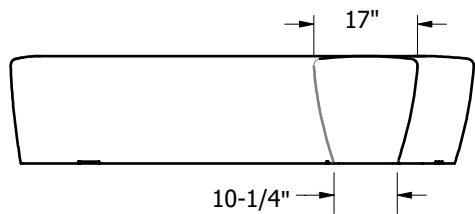
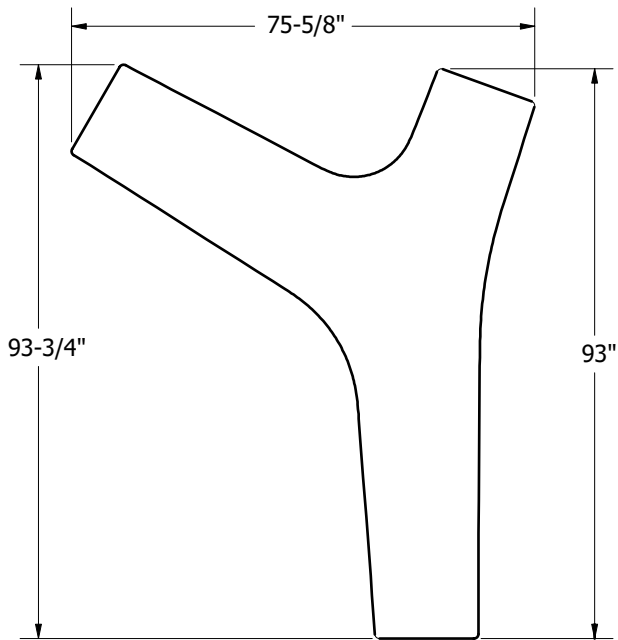
- Highly configurable, provides seating for up to 4 - 5 people
- Available in all of our lightweight GFRC concrete colors in Acid Etch or Sandblast finish
- Available with stainless steel skate stops
- Available with either external or concealed mounts



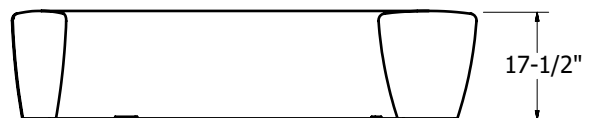
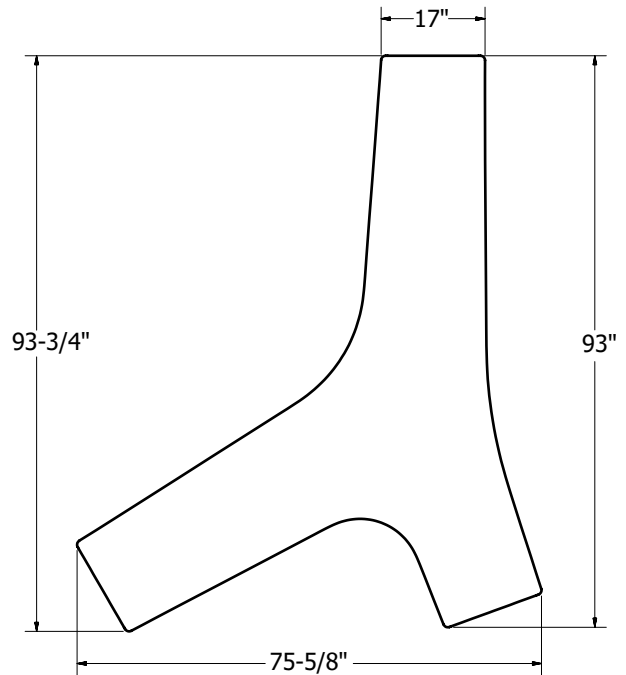
TWIG Bench

Specifications

Part. No.	Description	Colors	Finish	Weight Lbs.
G-01	TWIG Bench, GFRC Concrete.	Tournesol GFRC colors.	Acid Etch or Sandblast	550-625 lbs.
G-02	TWIG Bench Reverse, GFRC Concrete.	Tournesol GFRC colors.	Acid Etch or Sandblast	550-625 lbs.
GSS	Skate Stops (7 per bench) when requested	NA	NA	1

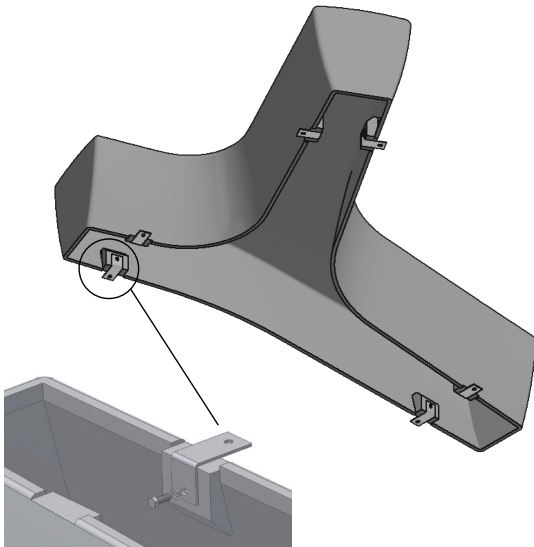


G-01

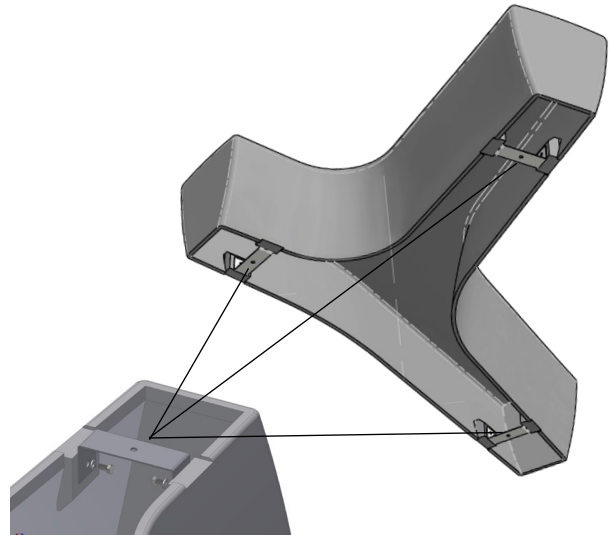


G-02

TWIG Bench Mounting Options

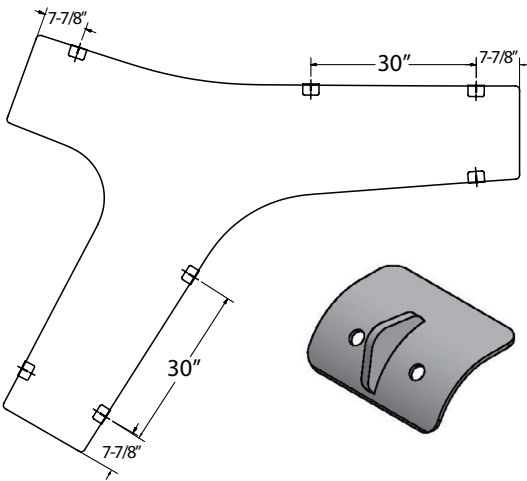


External mount bracket allows for direct adjustable anchoring.



Concealed mount bracket keeps the bench in place with epoxy anchors. If needed, a template is available for installation, please call for pricing.

TWIG Skate Stop Options



Recommended Skate stop placement. Skate stops ordered separately.

